

Electrical Abbreviations & Symbol Legend

Abbreviations

A	AMPERE	VFD	VARIABLE FREQUENCY DRIVE
AC	ALTERNATING CURRENT, AIR CONDITIONING UNIT	W	WATT, WIRE
AHJ	AUTHORITY HAVING JURISDICTION	WAN	WIDE AREA NETWORK
AIC	AVAILABLE INTERRUPTING CAPACITY	WAP	WIRELESS ACCESS POINT
AF	AMPERE FRAME / AMPERE FUSED	Wi-Fi	WIRELESS FIDELITY WITH
AFC	ABOVE FINISHED CEILING	W/O	WITHOUT
AFF	ABOVE FINISHED FLOOR	XFMR	TRANSFORMER
AFG	ABOVE FINISHED GRADE	Y	WYE
ANSI	AMERICAN NATIONAL STANDARDS INSTITUTE	1P	ONE POLE
ARMS	ARC FLASH REDUCTION MAINTENANCE SYSTEM	2P	TWO POLE
AT	AMPERE TRIP	3P	THREE POLE
AV	AUDIO / VIDEO	4P	FOUR POLE
AWG	AMERICAN WIRE GAUGE		
BAS	BUILDING AUTOMATION SYSTEM		
BFG	BELOW FINISHED GRADE		
BLDG	BUILDING		
C	CONDUIT		
CAT	CATEGORY		
CB	CIRCUIT BREAKER		
CFCI	CONTRACTOR FURNISHED, CONTRACTOR INSTALLED		
CFOI	CONTRACTOR FURNISHED, OWNER INSTALLED		
CKT	CIRCUIT		
CPT	CONTROL POWER TRANSFORMER		
CR	CONTROL RELAY		
CU	COPPER		
dB	DECIBAL		
DC	DIRECT CURRENT		
DIM	DIMENSION		
DIV	DIVISION		
DTL	DETAIL		
DWG	DRAWING		
EL	ELEVATION		
EMT	ELECTRICAL METALLIC TUBING		
EOLR	END OF LINE RESISTOR		
FACP	FIRE ALARM CONTROL PANEL		
FF	FINISH FLOOR		
FLA	FULL LOAD AMPERES		
FT	FOOT, FEET		
FBO	FURNISHED BY OTHERS		
G, GND	GROUND		
GFCI	GROUND FAULT CIRCUIT INTERRUPTER		
HH	HAND HOLE		
HP	HORSEPOWER		
ID	IDENTIFICATION		
IDC	INITIATING DEVICE CIRCUIT		
IDF	INTERMEDIATE DISTRIBUTION FRAME		
IEEE	INSTITUTE OF ELECTRICAL AND ELECTRONICS ENGINEERS		
IG	ISOLATED GROUND		
IT	INFORMATION TECHNOLOGY		
JB	JUNCTION BOX		
KAIC	THOUSAND AMPS INTERRUPTING CURRENT		
KCMIL	THOUSAND CIRCULAR MILS		
KVA	KILOVOLT-AMPERE		
KW	KILOWATT		
LAN	LOCAL AREA NETWORK		
LED	LIGHT EMITTING DIODE		
LS	LIMIT SWITCH		
LSI	ELECTRONIC TRIP UNIT ADJUSTABLE LONG TIME DELAY, SHORT TIME DELAY, INSTANTANEOUS TRIP		
LSIG	ELECTRONIC TRIP UNIT WITH ADJUSTABLE LONG TIME DELAY, SHORT TIME DELAY, INSTANTANEOUS TRIP, AND GROUND FAULT		
LV	LOW VOLTAGE		
MCA	MINIMUM CIRCUIT AMPACITY		
MCC	MOTOR CONTROL CENTER		
MCP	MOTOR CIRCUIT PROTECTOR		
MDF	MAIN DISTRIBUTION FRAME		
MHz	MEGAHERTZ		
MISC	MISCELLANEOUS		
MLO	MAIN LUGS ONLY		
MCCP	MAXIMUM OVERCURRENT PROTECTION		
N	NEUTRAL		
NAC	NOTIFICATION APPLIANCE CIRCUIT		
N/A	NOT APPLICABLE		
NC	NORMALLY CLOSED		
NEC	NATIONAL ELECTRICAL CODE		
NEMA	NATIONAL ELECTRICAL MANUFACTURERS ASSOCIATION		
NL	NIGHT LIGHT		
NO	NORMALLY OPEN		
NTS	NOT TO SCALE		
OC	ON CENTER		
OFCI	OWNER FURNISHED, CONTRACTOR INSTALLED		
OFOI	OWNER FURNISHED, OWNER INSTALLED		
Ø	PHASE		
PB	PULL BOX, PANIC BUTTON, PUSH BUTTON		
PE	PHOTO EYE		
PNL	PANEL		
POE	POWER OVER ETHERNET		
PTZ	PAN, TILT, ZOOM		
RF	RADIO FREQUENCY		
RFI	REQUEST FOR INFORMATION		
SPD	SURGE PROTECTION DEVICE		
STD	STANDARD		
SW	SWITCH		
TM	THERMAL MAGNETIC CIRCUIT BREAKER		
TBD	TO BE DETERMINED		
TV	TELEVISION / MONITOR OUTLET		
TVSS	TRANSIENT VOLTAGE SURGE SUPPRESSOR		
TYP	TYPICAL		
UH	UNIT HEATER		
UG	UNDERGROUND		
UL	UNDERWRITERS LABORATORIES		
UPS	UNINTERRUPTIBLE POWER SUPPLY		
UON	UNLESS OTHERWISE NOTED		
USB	UNIVERSAL SERIAL BUS		
V	VOLTS, VOLTAGE		
VA	VOLT-AMPERE		

General Electrical Notes

- ALL LIGHTING BRANCH CIRCUITS SHALL BE 2#10, 1#10G IN 3/4" CONDUIT, UON.
- ALL 20-AMP RECEPTACLE AND HARDWIRED BRANCH CIRCUITS SHALL BE 2#12, 1#12G IN 3/4" CONDUIT, UON.
- ALL EXIT SIGNS SHALL BE WIRED TO THE LOCAL LIGHTING BRANCH CIRCUIT AHEAD OF ALL SWITCHING, UON.
- PROVIDE 0-10V DIMMING CONDUCTORS TO ALL LUMINAIRES WHICH ARE CONTROLLED BY 0-10V DIMMERS SHOWN ON THE DRAWINGS.

Drawing Symbol Variables

3	THREE WAY SWITCH.
4	FOUR WAY SWITCH.
#J	QUANTITY OF JACKS AND HORIZONTAL CABLES.
	J = CAT6, JA = CAT6A, JE = CAT5E
+XX	MOUNTING UNITS EXPRESSED IN INCHES TO CENTERLINE ABOVE FINISHED FLOOR OR GRADE.
C	MOUNTED HORIZONTALLY AT 4" ABOVE COUNTERTOP.
CL	CLOCK.
DR	DUAL RELAY.
E	RED EMERGENCY SWITCH.
EL	ELEVATOR RECALL.
ETR	EXISTING DEVICE SHALL REMAIN.
G	GLASS BREAK SENSOR.
K	KEYED SWITCH.
LF	LOW FREQUENCY.
LV	LOW VOLTAGE SWITCH.
M	MOTOR RATED TOGGLE SWITCH.
NEX	REPLACE EXISTING WIRING DEVICE AND FACEPLATE WITH NEW. BACK BOX AND CONDUIT SHALL REMAIN.
O	INTEGRAL OCCUPANCY SENSOR.
P	ADA PHONE. VERIFY HEIGHT WITH ARCHITECT / OWNER.
REX	REMOVE EXISTING DEVICE / EQUIPMENT.
TK	MOUNTED IN TOE KICK OF CASEWORK.
TV	MOUNTED ADJACENT TO TV AT 60" AFF, UON.
V	VANDAL RESISTANT.
WG	WIREGUARD.
WP	WEATHERPROOF.

Annotation

(N)	INDICATES NEW EQUIPMENT.
(E)	INDICATES EXISTING EQUIPMENT TO REMAIN.
(D)	INDICATES EXISTING EQUIPMENT TO BE DEMOLISHED.
(RR)(RD)	INDICATES EXISTING EQUIPMENT OR DEVICE TO BE REMOVED AND REINSTALLED.
PXXX	CONDUIT & CONDUCTOR CALLOUT. REFER TO CONDUIT & CONDUCTOR SCHEDULE.
XX	KEYED NOTE CALLOUT. REFER TO CORRESPONDING SHEET KEYNOTES.
XX	KEYED NOTE CALLOUT. REFER TO CORRESPONDING SHEET KEYNOTES.
XX	KEYED NOTE CALLOUT. REFER TO CORRESPONDING SHEET KEYNOTES.
XX-XX	MECHANICAL EQUIPMENT CALLOUT. REFER TO MECHANICAL EQUIPMENT CONNECTION SCHEDULE.
X EX.XX	DETAIL CALLOUT. REFER TO DETAIL AND SHEET AS INDICATED ON CALLOUT.
XX-XX*	FIXTURE MOUNTING CALLOUT. HEIGHT ABOVE FINISHED FLOOR (A.F.F.)
XXXXX	EQUIPMENT CALLOUT. REFER TO NEMA CONNECTION SCHEDULE.
X EXXX	SECTION CALLOUT. REFER TO DETAIL AND SHEET AS INDICATED ON CALLOUT.
# EX.XX #	ELEVATION CALLOUT. REFER TO DETAIL AND SHEET AS INDICATED ON CALLOUT.

Raceways

	CONDUIT AND/OR CONDUCTORS INSTALLED ABOVE GRADE, CONCEALED IN WALL OR CEILING SPACE.
	CONDUIT AND/OR CONDUCTORS INSTALLED BELOW GRADE, BELOW SLAB.
	CONDUIT TURNED DOWN.
	CONDUIT TURNED UP.
	CONDUIT STUBBED AND CAPPED.
	CONDUIT DIRECT CONNECTION TO EQUIPMENT.
	FLEXIBLE CONNECTION TO EQUIPMENT.
	CONDUIT / WIRING CONTINUATION.
	HOMERUN TO PANELBOARD.
	CABLE TRAY. SIZE AND TYPE AS INDICATED ON DRAWINGS.

Power Distribution

	DUPLEX RECEPTACLE, MOUNTED AT 18" AFF, UON.
	SIMPLEX RECEPTACLE, MOUNTED AT 18" AFF, UON.
	QUADPLEX RECEPTACLE, MOUNTED AT 18" AFF, UON.
	GFCI DUPLEX RECEPTACLE, MOUNTED AT 18" AFF, UON.
	GFCI QUADPLEX RECEPTACLE, MOUNTED AT 18" AFF, UON.
	TAMPER RESISTANT DUPLEX RECEPTACLE, MOUNTED AT 18" AFF, UON.
	TAMPER RESISTANT QUADPLEX RECEPTACLE, MOUNTED AT 18" AFF, UON.
	NEMA SPECIAL RECEPTACLE, MOUNTED AT 18" AFF, UON. NEMA CONFIGURATION AS INDICATED.
	SIDE HATCHED RECEPTACLE, TO BE WIRED TO SWITCHED CIRCUIT.
	CENTER HATCHED RECEPTACLE TO BE WIRED TO EMERGENCY CIRCUIT.
	RECEPTACLE MOUNTED ON CEILING.
	RECEPTACLE MOUNTED IN-COUNTER.
	DISCONNECT SWITCH.
	FUSED DISCONNECT SWITCH.
	ENCLOSED CIRCUIT BREAKER.
	COMBINATION STARTER.
	FLOORBOX COMBINATION POWER & DATA.
	FLOORBOX POWER.
	POKETHRU COMBINATION POWER & DATA.
	POKETHRU POWER.
	POWER POLE.
	PANELBOARD SURFACE MOUNT.
	PANELBOARD FLUSH MOUNT.
	MAIN DISTRIBUTION PANEL.
	UTILITY CT METER.
	UTILITY TRANSFORMER.

Low Voltage

	ETHERNET OUTLET MOUNTED AT 18" AFF, UON.
	COAXIAL OUTLET MOUNTED AT 18" AFF, UON.
	PHONE OUTLET MOUNTED AT 18" AFF, UON.
	LOW VOLTAGE OUTLET CEILING MOUNTED.
	WIRELESS ACCESS POINT CEILING MOUNTED.
	WIRELESS ACCESS POINT WALL MOUNTED.
	DIGITAL CLOCK.
	FLOORBOX DATA.
	POKETHRU DATA.
	IT RACK.
	VERTICAL WIRE MANAGEMENT.

Miscellaneous

	JUNCTION BOX (ROUND, SQUARE).
	THERMOSTAT.
	RELAY.
	CORD REEL.
	MOTOR / EXHAUST FAN.
	CEILING FAN.
	UTILITY POLE.
	WEATHERHEAD.
	GROUND ROD.
	GROUND ROD WITH TEST WELL.
	SURFACE RACEWAY / WIREMOLD.
	FIRE RATED BACKBOARD.
	GROUND BUS BAR.

LANDIS CONSULTING
Salem
503-584-1576
www.landisconsulting.com



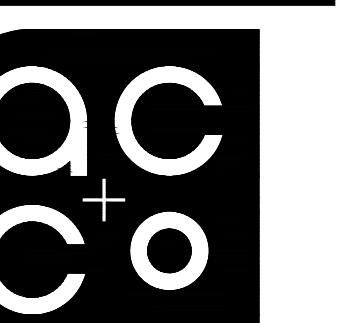
In the event conflicts are discovered between the original signed and sealed documents prepared by the Architect and/or their Consultants, and any copy of the documents transmitted by mail, fax, electronically or otherwise, the original signed and sealed documents shall govern.

JOB NO. 2024.0021

DATE APRIL 19, 2024

DRAWN SR

REVISIONS



ARCHITECTURE COMMUNITY
1100 Liberty Street SE
Suite 200
Salem, OR 97302
P: 503.581.4114
www.ccocog.com

WEST VALLEY HOUSING AUTHORITY
PIONEER VILLAGE COMMUNITY CENTER

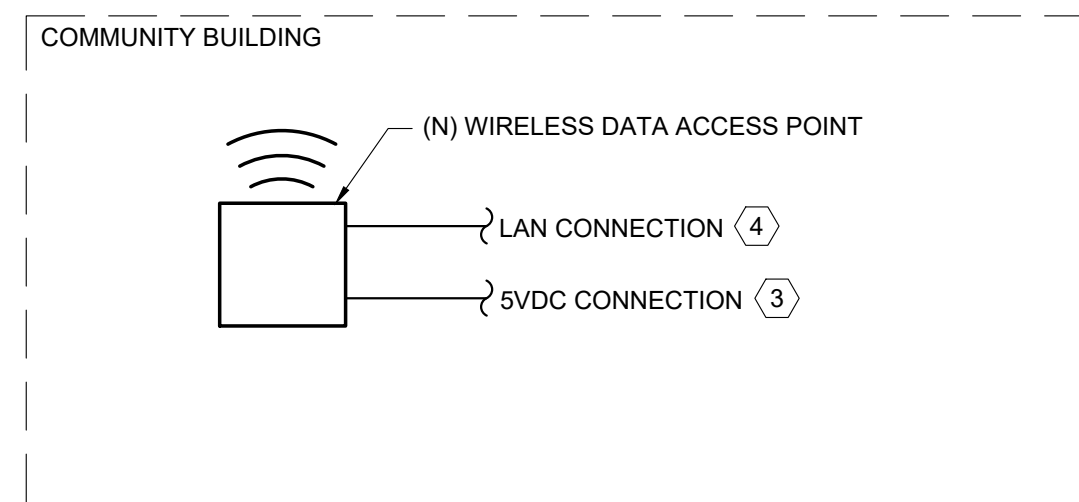
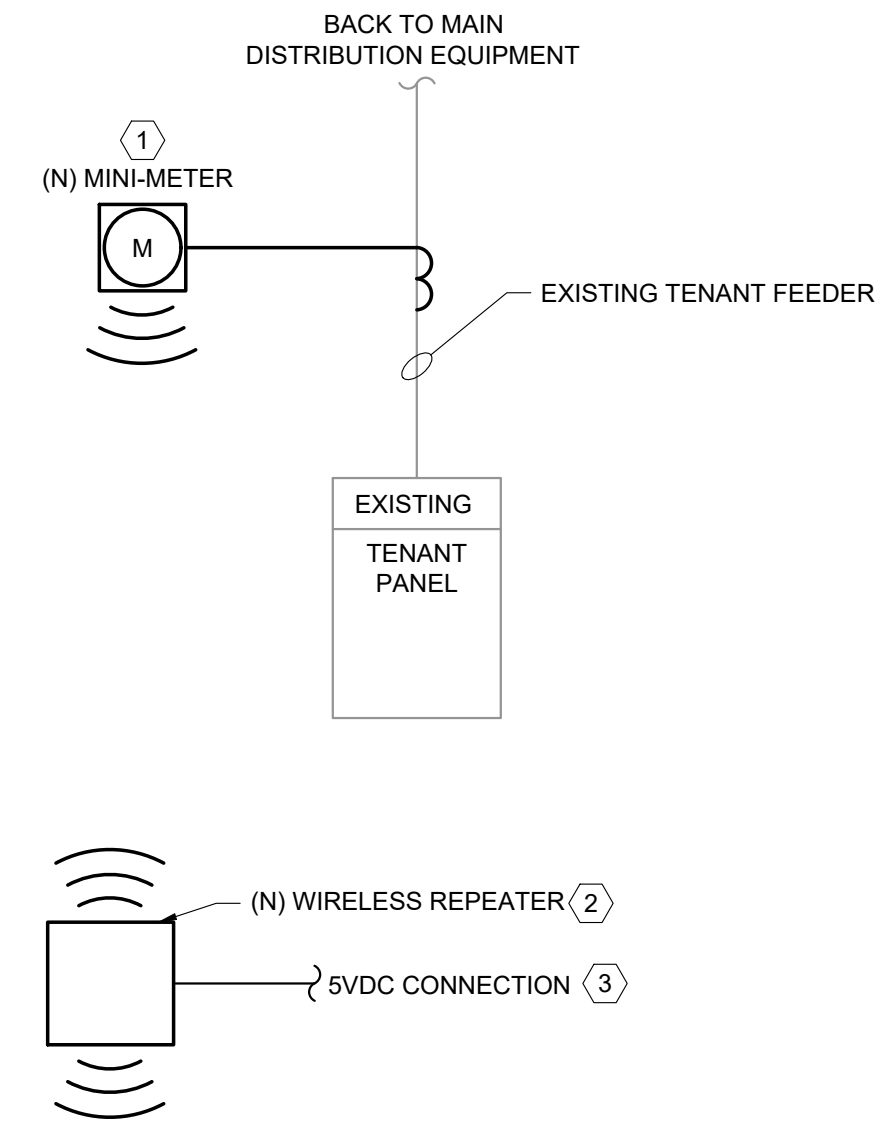
Electrical Abbreviations & Symbol Legend

3060 CENTER ST NE
SALEM, OR 97301

SHEET
E0.1

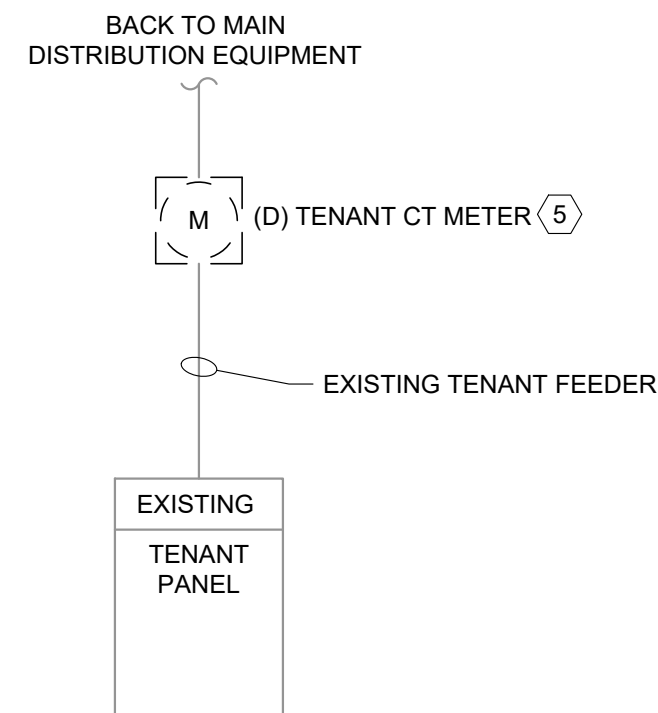
SHEET KEY NOTES

1. NEW MINI-METER TO BE INSTALLED SURFACE MOUNTED ADJACENT TO EXISTING METER ENCLOSURE. CONTRACTOR SHALL ROUTE CT WIRING RECESSED IN EXISTING WALL TO METER ENCLOSURE FOR CT METERING.
2. REPEATER ARE AS REQUIRED FOR MESH NETWORK CONNECTIVITY. SEE SITE PLAN FOR QUANTITY AND LOCATION.
3. VIA MANUFACTURER SUPPLIED 120V POWER SUPPLY. PROVIDE 120V RECEPTACLE CONNECTION AT UNIT LOCATION WIRED BACK TO LOCAL RECEPTACLE BRANCH CIRCUIT.
4. PROVIDE CAT5E CONNECTION BACK TO OWNERS LOCAL AREA NETWORK.
5. REMOVE EXISTING CT METER AND JAW SOCKET. CONTRACTOR SHALL PROVIDE A BUTT SPLICE OF EXISTING LINE AND LOAD SIDE CONDUCTORS FOR CONTINUITY OF PANEL FEEDER.



2 METERING SYSTEM ONE-LINE DIAGRAM
SCALE: NTS

NOTE:
ONE-LINE IS TYPICAL FOR ALL UNITS. SEE SITE PLAN FOR EXACT QUANTITY OF UNITS.



1 DEMOLITION ONE-LINE DIAGRAM
SCALE: NTS

LANDIS CONSULTING
Salem
503-584-1576
www.landisconsulting.com



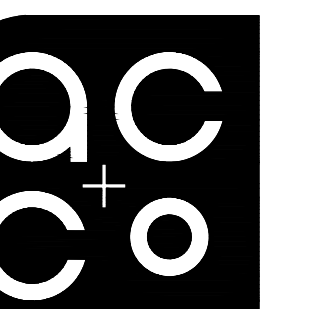
In the event conflicts are discovered between the original signed and sealed documents prepared by the Architect and/or their Consultants, and any copy of the documents transmitted by mail, fax, electronically or otherwise, the original signed and sealed documents shall govern.

JOB NO. 2024.0021

DATE APRIL 19, 2024

DRAWN SR

REVISIONS



ARCHITECTURE COMMUNITY
1100 Liberty Street SE
Suite 200
Salem, OR 97302
P: 503.581.4114
www.acco.com

WEST VALLEY HOUSING AUTHORITY
PIONEER VILLAGE COMMUNITY CENTER

Metering System One-Line Diagram

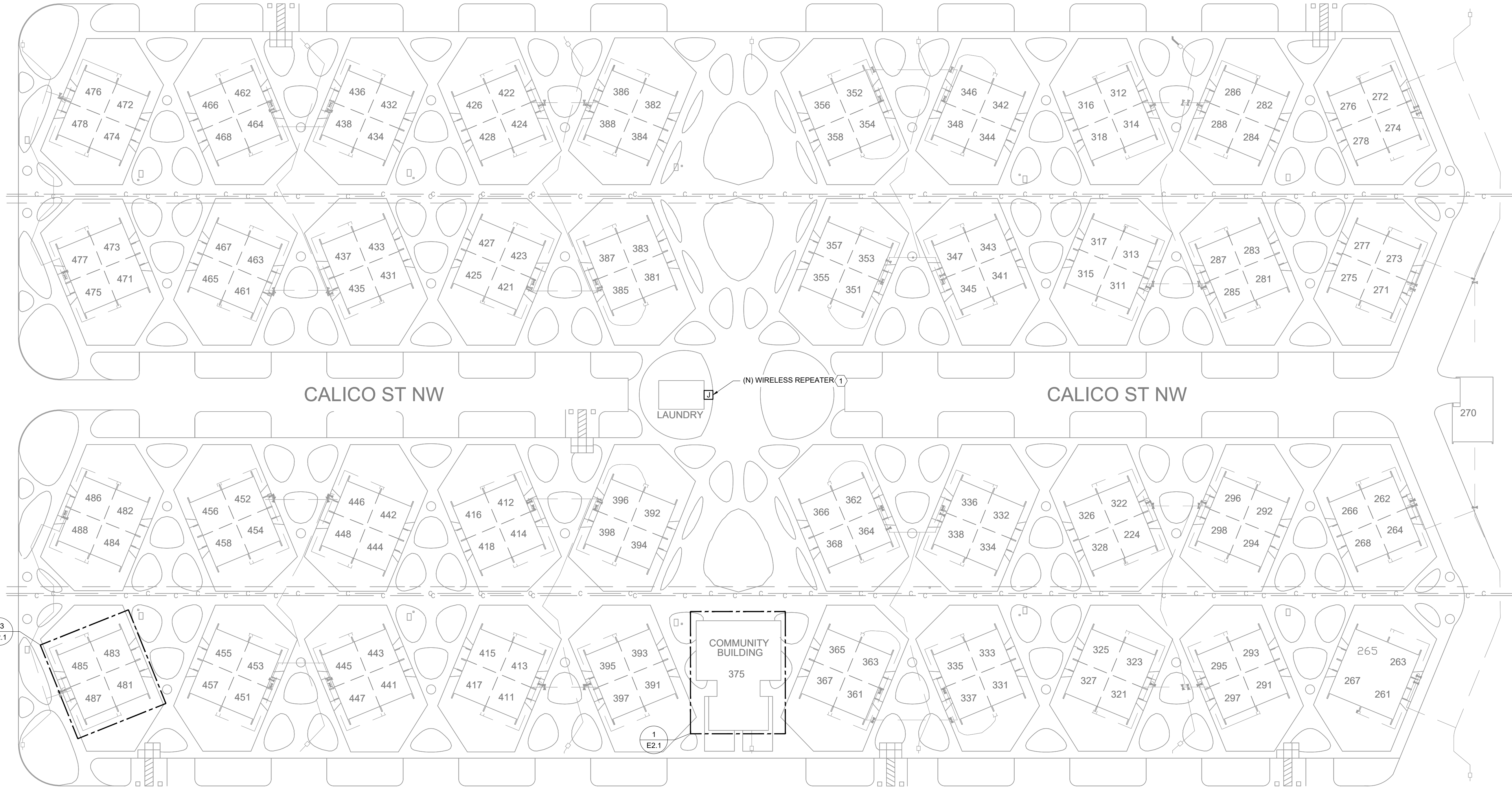
3060 CENTER ST NE
SALEM, OR 97301

SHEET

E0.2

SHEET KEY NOTES
 1. PROVIDE NEW OUTLET WIRED TO LOCAL RECEPTACLE BRANCH CIRCUIT FOR REPEATER POWER SUPPLY.

CAMEO ST NW



5TH AVE NW

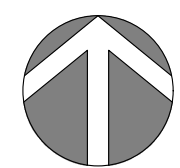
CALICO ST NW

CALICO ST NW

TAYBIN RD NW

TO WALLACE ROAD NW

1 ELECTRICAL SITE PLAN
 SCALE: 1" = 40'
 0' 10' 20' 40'

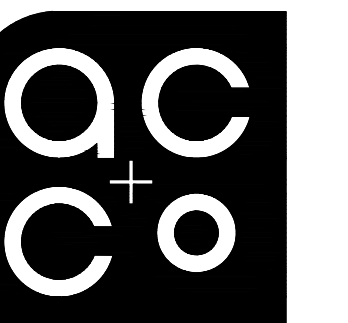


LANDIS CONSULTING
 Salem
 503-584-1576
 www.landisconsulting.com



In the event conflicts are discovered between the original signed and sealed documents prepared by the Architect and/or their Consultants, and any copy of the documents transmitted by mail, fax, electronically or otherwise, the original signed and sealed documents shall govern.

JOB NO. 2024.0021
 DATE APRIL 19, 2024
 DRAWN SR
 REVISIONS



ARCHITECTURE COMMUNITY
 1100 Liberty Street SE
 Suite 200
 Salem, OR 97302
 P: 503.581.4114
 www.ccacog.com

WEST VALLEY HOUSING AUTHORITY
 PIONEER VILLAGE COMMUNITY CENTER

Electrical Site Plan

3060 CENTER ST NE
 SALEM, OR 97301

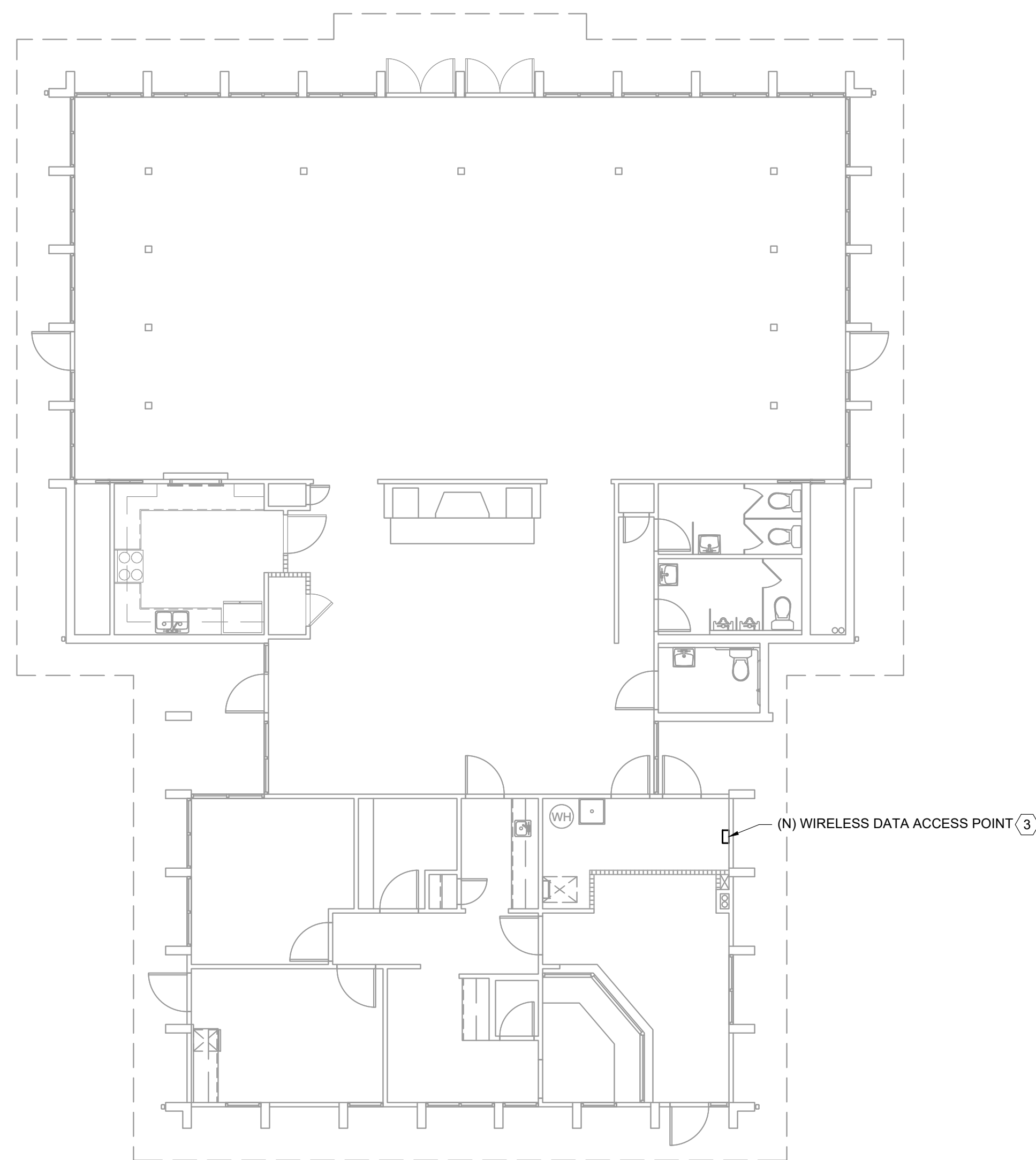
SHEET
E1.1

GENERAL SHEET NOTES

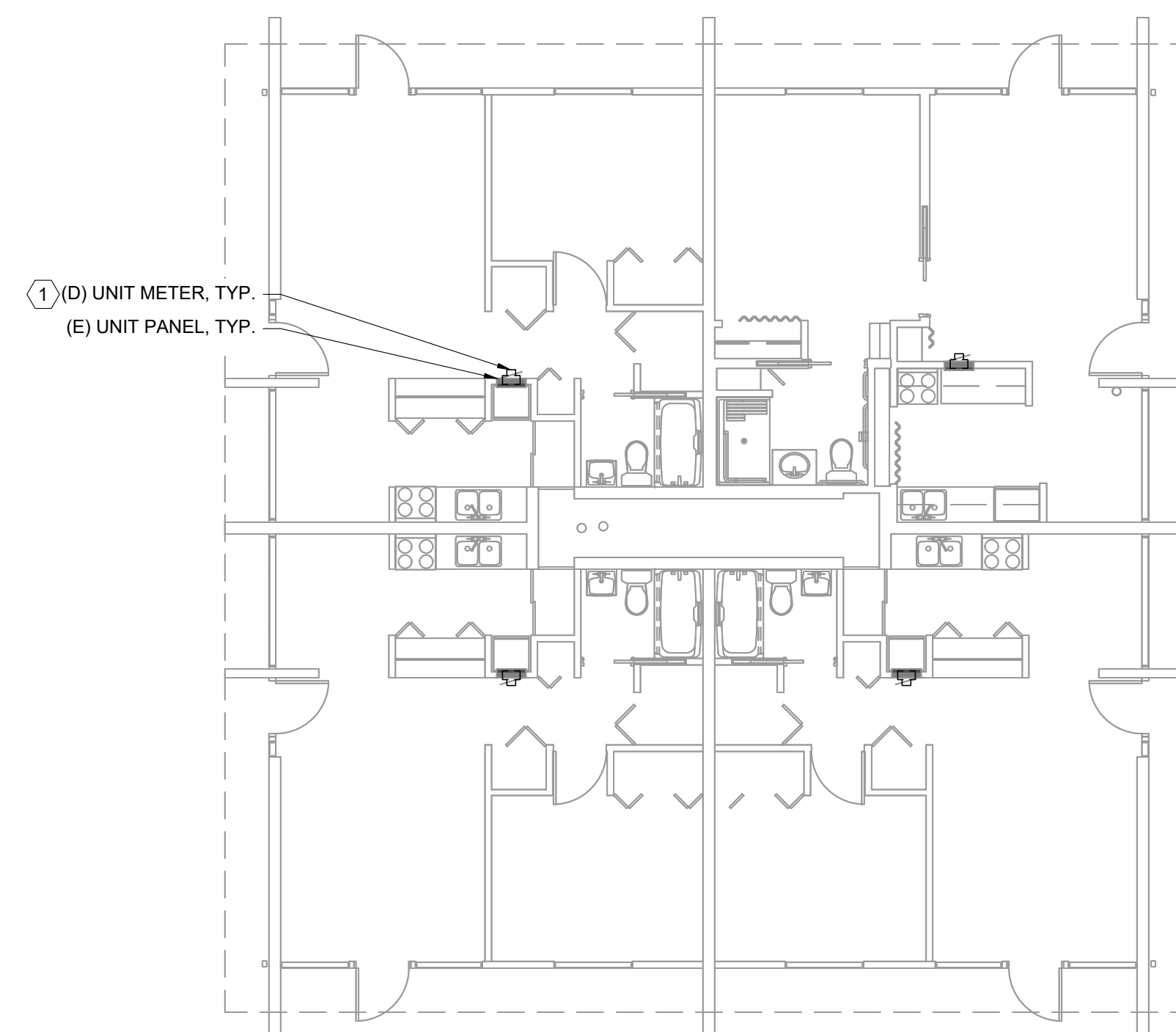
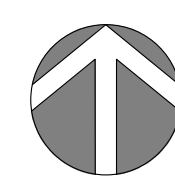
1. MINI-METERS HAVE INTEGRAL TRANSMITTER AND ACT AS MESH NETWORK. CONTRACTOR SHALL VERIFY CONNECTIVITY OF EACH METER TO MESH NETWORK AFTER INSTALLATION IS COMPLETE.

SHEET KEY NOTES

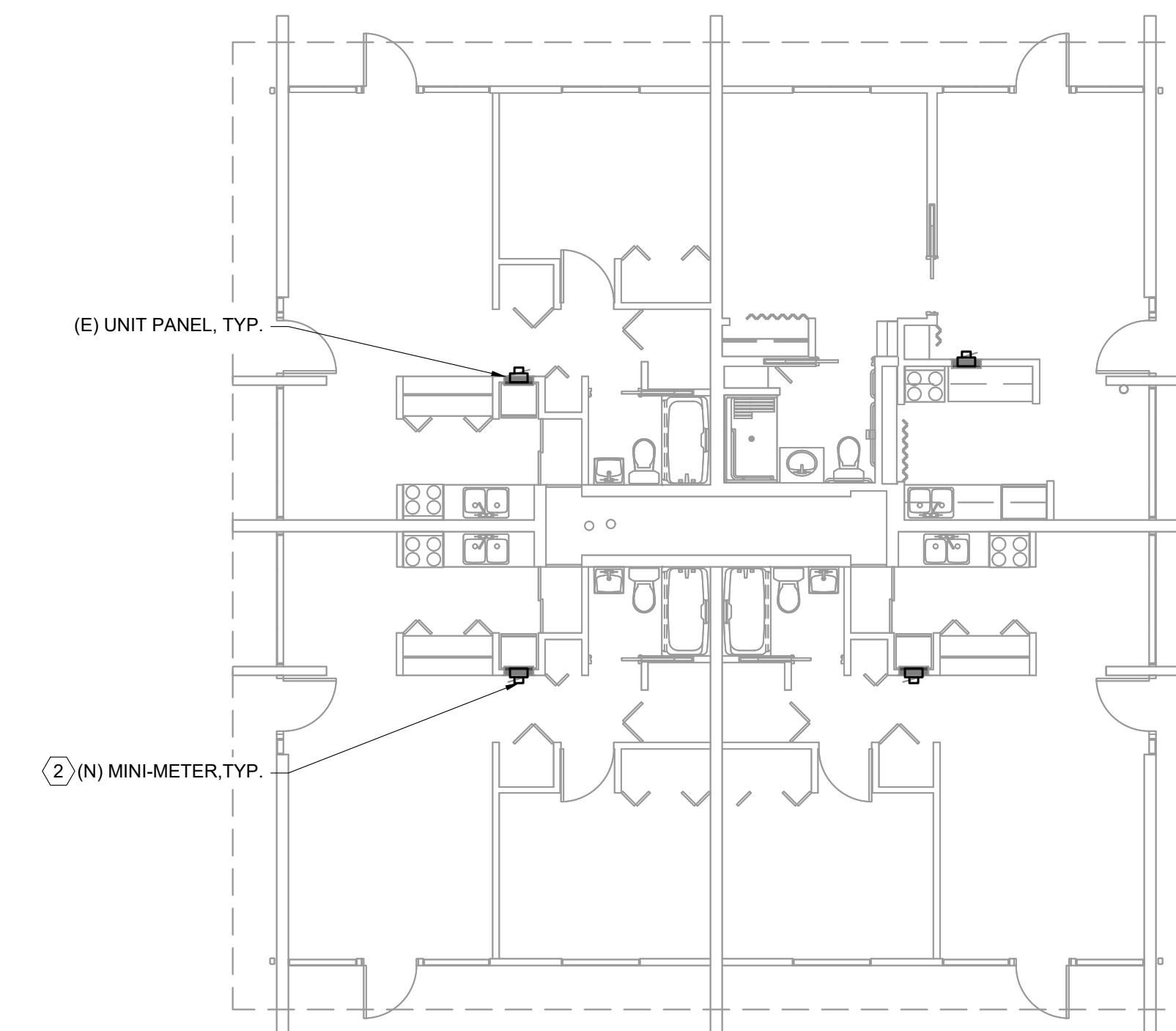
1. EXISTING TENANT METER, METER CT'S AND METER SOCKET SHALL BE REMOVED COMPLETELY BACK TO SOURCE. PROVIDE A BUTT SPLICE OF EXISTING LINE AND LOAD SIDE CONDUCTORS FOR CONTINUITY OF PANEL FEEDER.
2. INSTALL MINI-METER SURFACE MOUNTED ADJACENT TO EXISTING METER ENCLOSURE. CONTRACTOR SHALL ROUTE CT WIRING RECESSED IN EXISTING WALL TO METER ENCLOSURE FOR CT METERING.
3. PROVIDE 120V CONNECTION AND CAT5E CONNECTION TO LOCAL NETWORK.



1 COMMUNITY CENTER ELECTRICAL PLAN
SCALE: 1/8" = 1'-0"



2 TYPICAL UNIT ELECTRICAL DEMOLITION PLAN
SCALE: 1/8" = 1'-0"



3 TYPICAL UNIT ELECTRICAL PLAN
SCALE: 1/8" = 1'-0"

LANDIS CONSULTING
Salem
503-584-1576
www.landisconsulting.com



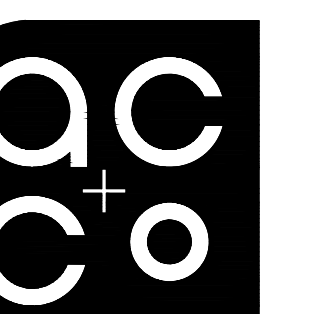
Digitally Signed
OREGON
MAY 08, 2012
PERRY
EXPIRES: 12-31-2024

JOB NO. 2024.0021

DATE APRIL 19, 2024

DRAWN SR

REVISIONS



ARCHITECTURE COMMUNITY
1100 Liberty Street SE
Suite 200
Salem, OR 97302
P: 503.581.4114
www.ccacomm.com

WEST VALLEY HOUSING AUTHORITY
PIONEER VILLAGE COMMUNITY CENTER

Community Center - Electrical Plans

3060 CENTER ST NE
SALEM, OR 97301

SHEET

E2.1